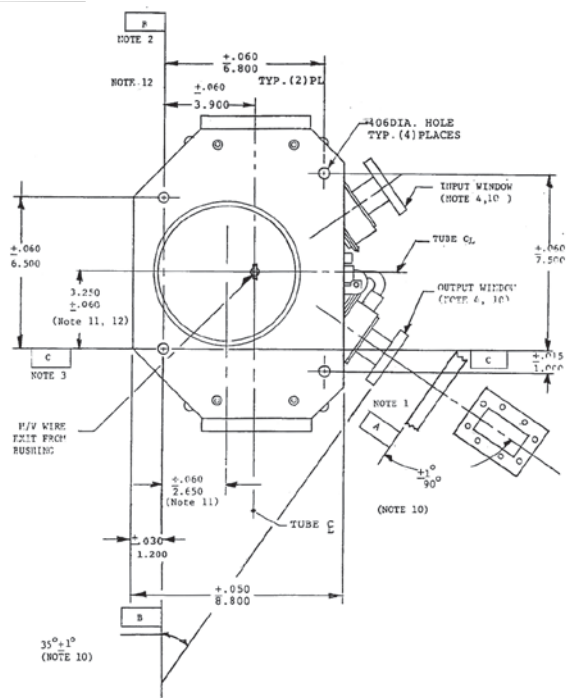
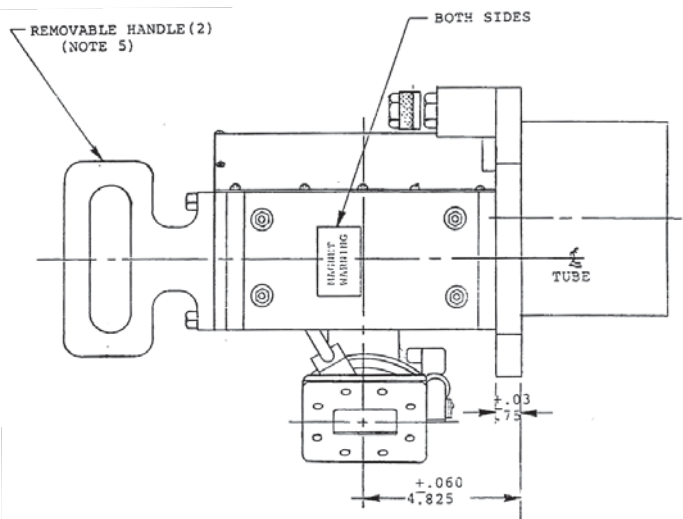
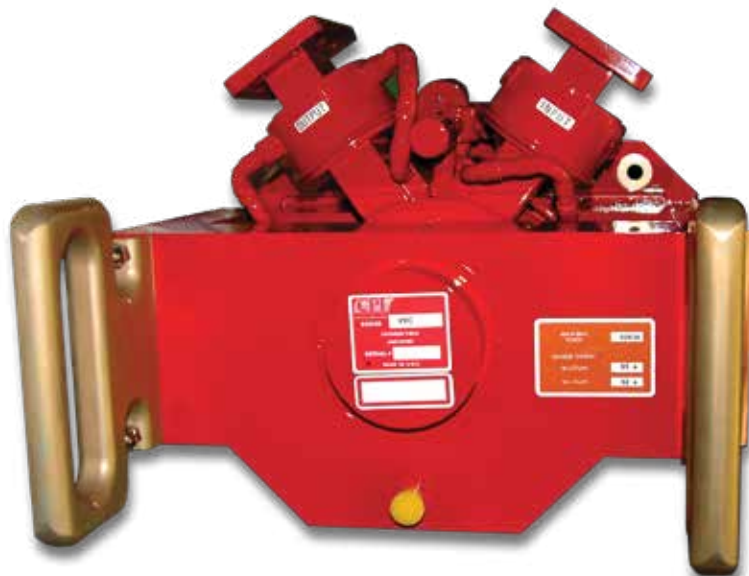


CPI Electron Device Business - Crossed-Field Amplifier

With a history of producing high quality products, we can help you with your CFA.

Contact us at ElectronDevices@cpiedb.com or at call us at +1 978-922-6000.



FEATURES:

- Frequency: 5.4 - 5.9 GHz
- Peak Power: 900 kW
- Duty Cycle: 0.005
- Pulsewidth: 50 μ Sec
- Anode voltage 30 kV
- Cold cathode
- Water cooled
- Cathode pulsed

BENEFITS:

- High peak power
- Wide bandwidth

APPLICATIONS:

- Ground based radar



Beverly Microwave Division
150 Sohier Road
Beverly, Massachusetts
USA 01915

tel +1 978-922-6000
email ElectronDevices@cpiedb.com
fax +1 978-922-8914
web www.cpi-edb.com

For more detailed information, please refer to the corresponding CPI EDB technical description if one has been published, or contact CPI EDB. Specifications may change without notice as a result of additional data or product refinement. Please contact CPI EDB before using this information for system design.

©2024 CPI Electron Device Business. Company proprietary: use and reproduction is strictly prohibited without written authorization from CPI EDB.